

# RISA

Underground and Overhead Networks & Infrastructures.

risa.fr



UNDERGROUND

## RC 1400

# RC 1400

## RC 1400 COMPACT WHEEL for narrow trench

Compaction width from 160 to 280 mm  
Total wheel diameter of 1400 mm  
Maximum compaction depth of 550 mm  
Tool weight of 900 kg  
Total weight with coupling of 1100 kg  
Coupling available for excavators, short radius excavator, backhoe loaders, skid steer loaders  
Hydraulic supply required 60 litres 200 bars  
Return pressure 25 bar static, 40 bar dynamic

### OPTIONS

Widener (2 half shells) 180 mm for 200 mm trench  
Widener (2 half shells) 230 mm for 250 mm trench  
Widener (2 half shells) 280 mm for 300 mm trench



Mounting on backhoe

## RC 1400-45 COMPACT WHEEL for standard trench

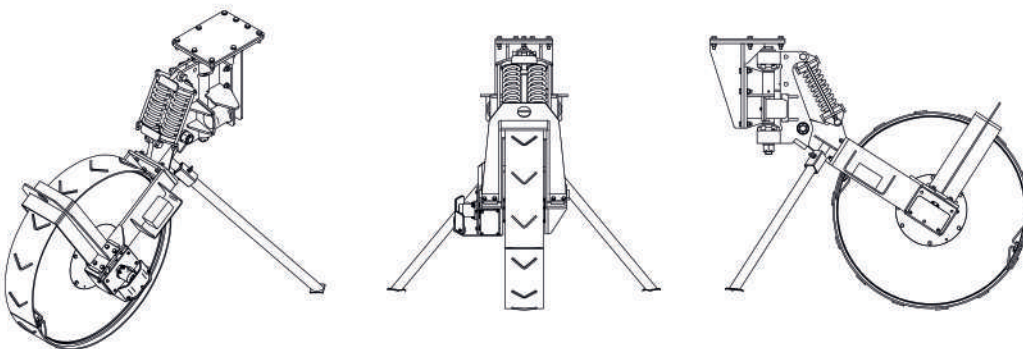
Compaction width from 250 to 500 mm  
Total wheel diameter of 1400 mm  
Maximum compaction depth of 550 mm  
Tool weight of 900 kg  
Total weight with coupling of 1190 kg  
Coupling available for excavators, short radius excavator, backhoe loaders, skid steer loaders  
Hydraulic supply required 60 litres 200 bars  
Return pressure 25 bar static, 40 bar dynamic

### OPTIONS

Widener (2 half shells) 250 mm for 300 mm trench  
Widener (2 half shells) 350 mm for 400 mm trench  
Widener (2 half shells) 450 mm for 500 mm trench



Mounting on excavators



[risa.fr](http://risa.fr)

**RISA**

67 Avenue Edouard Herriot  
82303 CAUSSADE  
FRANCE.

Phone. 05 63 65 17 83

